



# A-Frame and Arch Entrance Canopies

The **A-Frame and Arch Entrance Canopies** are perfect for creating or identifying the entrance to a restaurant, hotel or retail business. Both styles have ample surface area to add a colorful logo or words of welcome. These canopies can also be used as free standing units when wall attachment is not available. Entrance canopies block the sun's direct light protecting foyer carpets, furniture or display merchandise from fading.

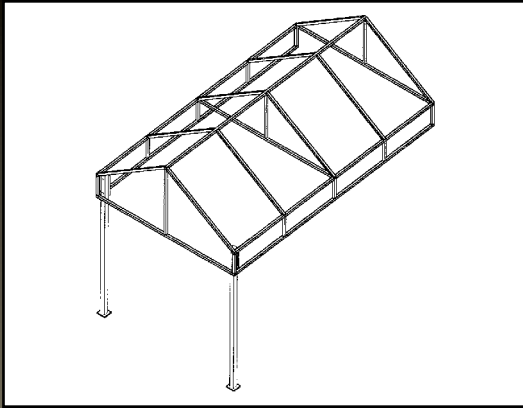
## **Special Features and Benefits Include:**

- Stationary awning
- Identify entrance area
- Protect clientele from the elements
- Traditional favorite for restaurants, hotels and retail businesses
- Can be used as a free standing product
- Available in a broad array of fabrics
- Easily accommodates the addition of graphics

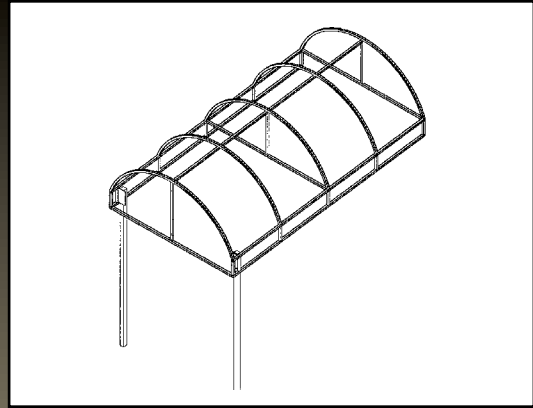
**DURASOL**  
**AWNINGS**  
*Your Total Shading Solution™*

800.444.6131 · www.durasol.com  
38 Pond Lane, Suite B · Middlebury, VT 05753

# A-Frame and Arch Entrance Canopies



**A-Frame**



**Arch**

PRODUCT OVERVIEW*	
Primary Application: <b>Entrances and Walkways</b>	
Width Range	6' - 12'
Drop & Projection Range	Up to 15'
Frame	Welded stationary awning
Frame Finish	Standard mill finish aluminum, alternate mill finish 1" galvanized steel
Mounting Options	Wall surface or free standing
Fabric Options	100% Acrylic Fabric colors, alternate vinyl fabrics available
Warranty	<b>10 years</b> - Framework <b>5 year</b> - Powder Coated Frame <b>5 years</b> - Manufacturers Standard Fabric Warranty
Frame Colors	 Black      Blue      Gray      Hunter Green      Red      White
(For custom colors call for a quotation)	

\*Subject to change without prior notice

## GO GREEN on Energy Cost!



### Go Green and Reduce Energy Cost

Durasol retractable awnings effectively filter the sun's light creating a cool and relaxed environment. Solar heat gain is greatly reduced by limiting the amount of direct sunlight that enters a window or door.

The use of fabric awnings will **reduce solar heat by up to 90%\*** and lower indoor temperatures by 10-15%, thus saving 25%\* on air conditioning costs throughout the warmer months.

\*Source: 2007 PAMA

**DURASOL**  
**AWNINGS**  
*Your Total Shading Solution™*

800.444.6131 · www.durasol.com  
 38 Pond Lane, Suite B · Middlebury, VT 05753